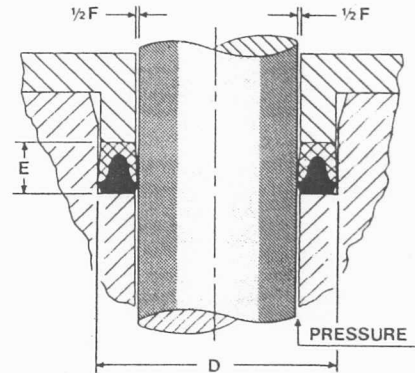
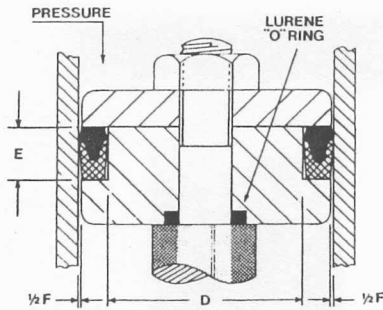
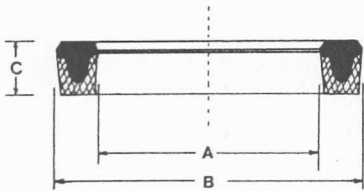




SINGLE ACTING FLUID SEALS

SINGLE ACTING FLUID SEALS



PART No.	ID OF SEAL	OD OF SEAL	HEIGHT OF SEAL	Piston Spigot Cylinder or Housing Tolerances	DEPTH OF RECESS	TOTAL MAXIMUM DIAMETRAL CLEARANCE	PART No.	ID OF SEAL	OD OF SEAL	HEIGHT OF SEAL	Piston Spigot Cylinder or Housing Tolerances	DEPTH OF RECESS	TOTAL MAXIMUM DIAMETRAL CLEARANCE			
NS-	A	B	C	D	E	F	NS-	A	B	C	D	E	F			
3	3/8	1/2	1/4	±.003	1/4 +.005 +.015	.003	36	3 1/2	4 1/2	3/4	±.005	3/4 +.005 +.025	.010			
4	1/4	5/8					37	3 3/4	4 3/4							
5	5/8	3/4					38	4	5							
6	3/8	3/4					39	4 1/4	5 1/4							
7	7/8	1 1/8					40	4 1/2	5 1/2							
8	1/2	7/8	41	4 3/4	5 3/4											
9	9/8	1 5/8	42	5	6											
10	5/8	1	43	5 1/4	6 1/4											
11	5/8	1 1/8	44	5 1/2	6 1/2											
12	1 1/8	1 3/8	45	5 3/4	6 3/4											
13	3/4	1 1/4	46	6	7											
14	1 3/8	1 5/8	3/8	±.003	3/8 +.005 +.015	.005	47	6	7 1/4							
15	7/8	1 3/8					48	6 1/4	7 1/2							
16	1 5/8	1 7/8					49	6 1/2	7 3/4							
17	1	1 1/2					50	6 3/4	8							
18	1	1 3/8					51	7	8 1/4							
19	1 1/8	1 3/4					52	7 1/4	8 1/2							
20	1 1/4	1 7/8					53	7 1/2	8 3/4							
21	1 3/8	2					54	7 3/4	9							
22	1 1/2	2 1/4					7/16	±.004	7/16 +.005 +.015	.006	55	8	9 1/4			
23	1 3/4	2 1/4									56	8 1/4	9 1/2			
24	1 3/4	2 3/4	57	8 1/2	9 3/4											
25	1 3/4	2 1/2	58	8 3/4	10											
26	2	2 3/4	59	9	10 1/4											
27	2	2 3/4	60	9 1/4	10 1/2											
28	2 1/4	2 3/4	61	9 1/2	10 3/4											
29	2 1/4	3	62	9 3/4	11											
30	2 3/8	3 1/8	9/16	±.005	9/16 +.005 +.020	.008	63	10	11 1/4							
31	2 1/2	3 1/4					64	10 1/4	11 1/2							
32	2 3/4	3 1/2					65	10 1/2	11 3/4							
33	3	3 3/4					66	10 3/4	12							
34	3 1/4	4					67	11	12 1/4							
35	3 1/2	4 1/4					68	11 1/4	12 1/2							
							69	11 1/2	12 3/4							
							70	11 3/4	13							
							71	12	13 1/4							
													1	±.006	1 +.005 +.030	.012